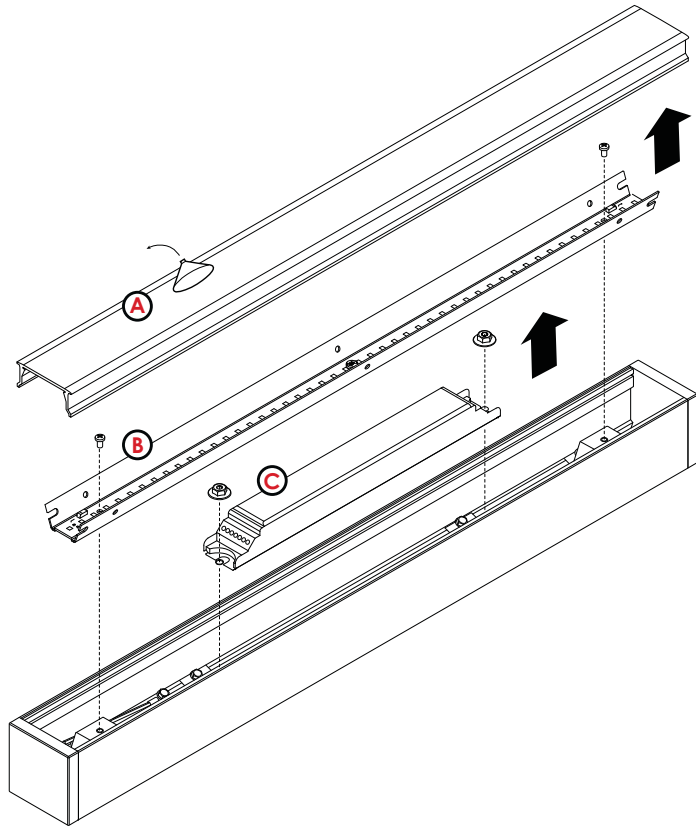
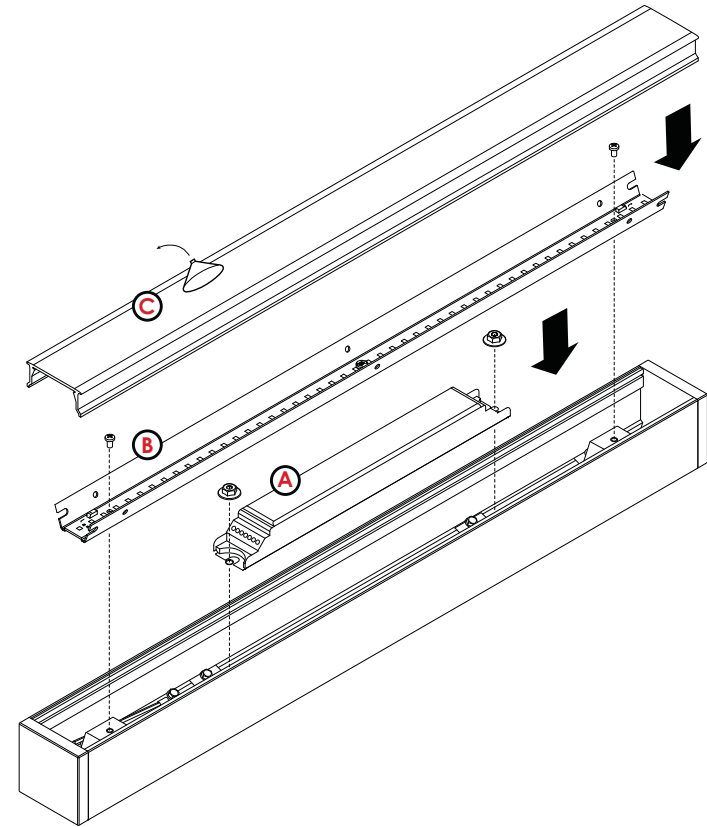


1



2



INSTRUCTIONS

Attention: Risk of fire and electrical shock - fixture to be installed by qualified electrician according to local codes and ordinances.

Attention: Ensure proper handling of LEDs to limit common problems including: broken connection, loose wiring, and damage from electrostatic discharge.

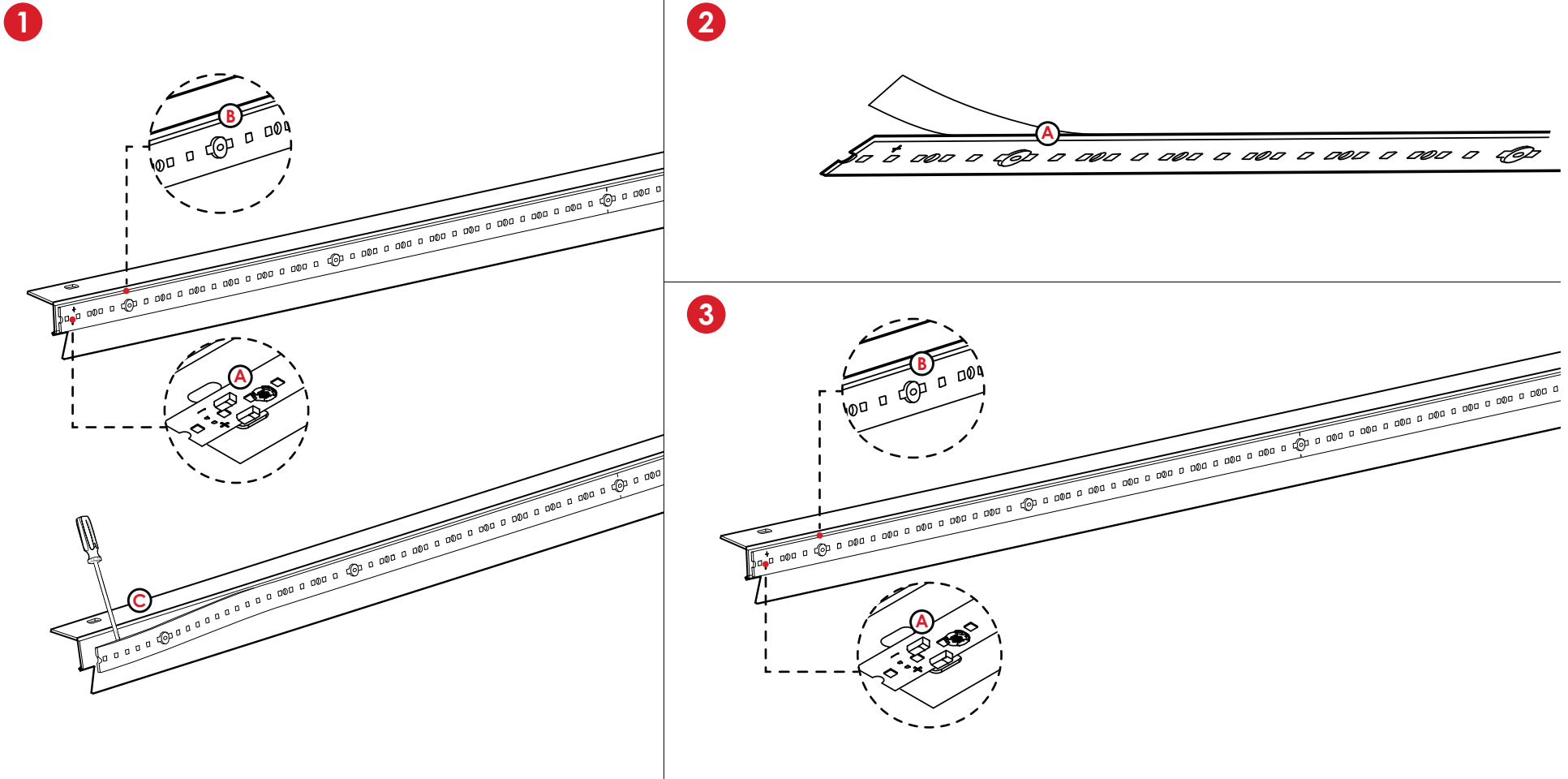
1

Note: Before attempting to verify and replace the driver, ensure that the power to the fixture's circuit is turned off.

- [A] - Lens. Remove the lens. Apply suction cup (provided) to one end and carefully pull lens out.
- [B] - Gear tray. Remove reflectors (if applicable) and internal gear tray by unfastening hardware.
- [C] - Driver. Disconnect wires from driver. Unfasten hardware and remove driver.

2

- [A] - Replace driver. You may have to move driver bracket if new driver is a different length. Reconnect wires to driver.
- [B] - Fasten LED gear tray to extrusion using #10 Hex screws. Reattach reflectors.
- [C] - Snap lens in, starting at one end.



INSTRUCTIONS

Attention: Risk of fire and electrical shock - fixture to be installed by qualified electrician according to local codes and ordinances.

Attention: Ensure proper handling of LEDs to limit common problems including: broken connection, loose wiring, and damage from electrostatic discharge.

- 1** [A] - Depress Wago connectors (small screwdriver) and release both red and blue connectors.
 [B] - Remove push to fit connectors (pliers).
 [C] - Starting at one corner with a flathead screwdriver, pry boards from substrate.
- 2** [A] - **Note:** Keep LED boards away from screwdrivers or other tools that are not ESD certified. It is recommended to wear cotton gloves and avoid touching metallic components or insulators, such as clothes, hair, or carpet.
 Remove adhesive backing from new board. In one smooth motion, lay board onto the substrate, in the same orientation as the board that was replaced. Be sure that the holes in the substrate line up with the holes in the board. Gently press along the length of the board.
- 3** [A] - Use new push to fix connectors to replace those that were removed.
 [B] - Insert conductors into Wago connectors, Be sure that there is a good connection and the wires will not slip out (Red +, Blue -).