

## SAFETY PRECAUTIONS WARNINGS



Risk of fire or electric shock. Basic safety precautions should always be followed when using electrical equipment. This product must be installed in accordance with the applicable installation code by a person familiar with the construction and operation of the product and the hazards involved



Disconnect power to all circuits before wiring fixture.  
Install in accordance with all national, state, and local codes.  
Do not connect to an ungrounded supply.  
Read all fixture markings and labels to ensure correct installation of fixture.

---

## CAN ICES-005 (A) / NMB-005 (A)

### FCC Compliance Statement

This device complies with part 15 of the FCC Rules. Operation is subject to the following two conditions: (1) This device may not cause harmful interference, and (2) this device must accept any interference received, including interference that may cause undesired operation. This equipment has been tested and found to comply with the limits for a Class A digital device, pursuant to part 15 of the FCC Rules. These limits are designed to provide reasonable protection against harmful interference when the equipment is operated in a commercial environment. This equipment generates, uses, and can radiate radio frequency energy and, if not installed and used in accordance with the instruction manual, may cause harmful interference to radio communications. Operation of this equipment in a residential area is likely to cause harmful interference in which case the user will be required to correct the interference at his own expense.

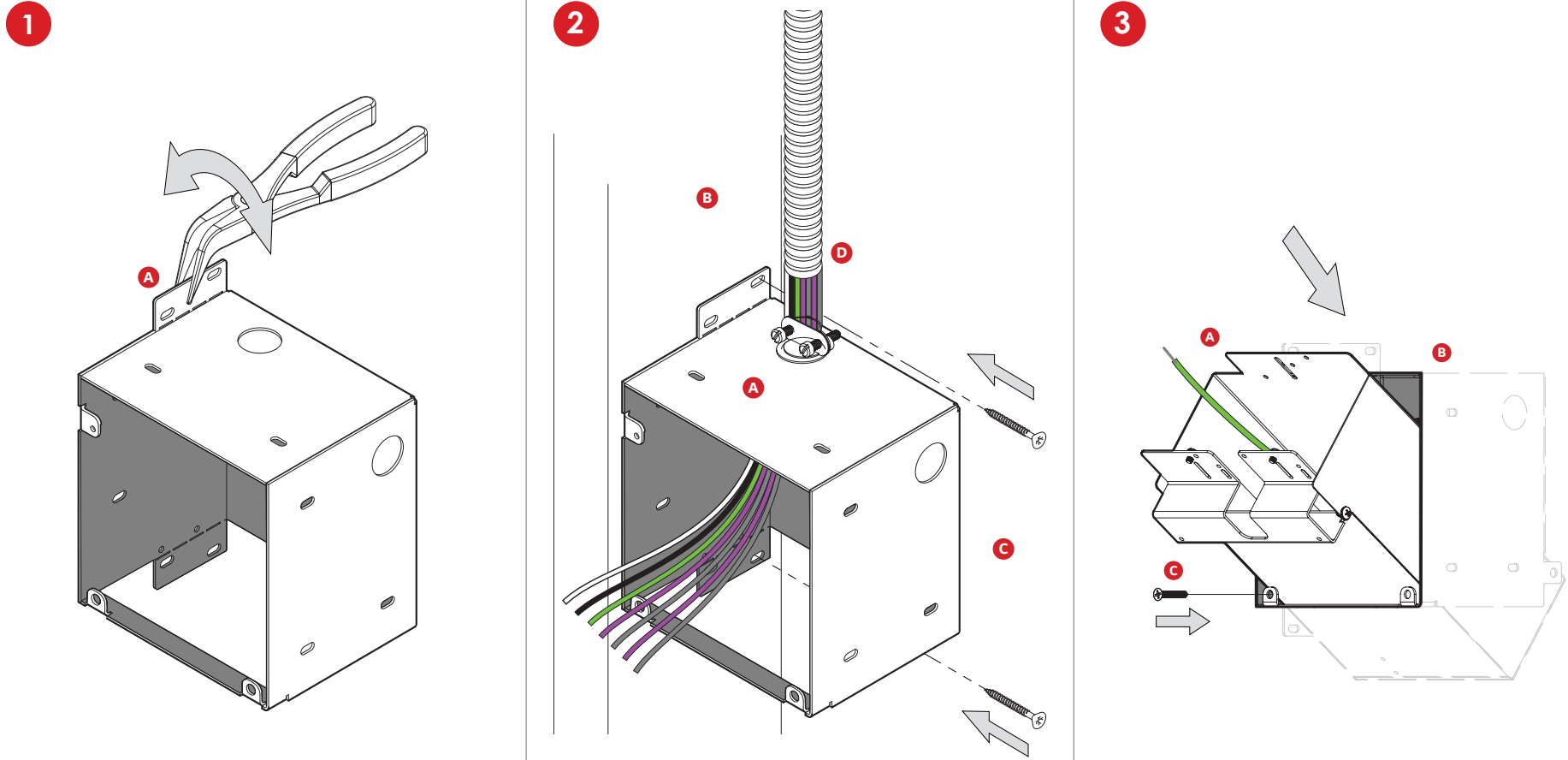
### ISED Canada Statement

This class A lighting equipment complies with innovation, Science and Economic Development (ISED) Canada Standard for radio interference-causing equipment ICES-005, 5th edition.

### Déclaration pour ISDE Canada

Ce matériel d'éclairage de classe A est conforme avec la norme sur le matériel brouilleur radio NMB-005, 5<sup>ème</sup> édition, publié par innovation, science et développement économique (ISDE) Canada

## REMOTE DRIVER JUNCTION BOX INSTALLATION GUIDE

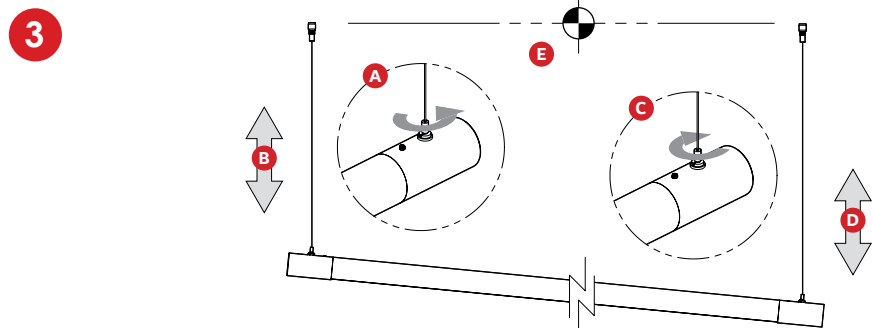
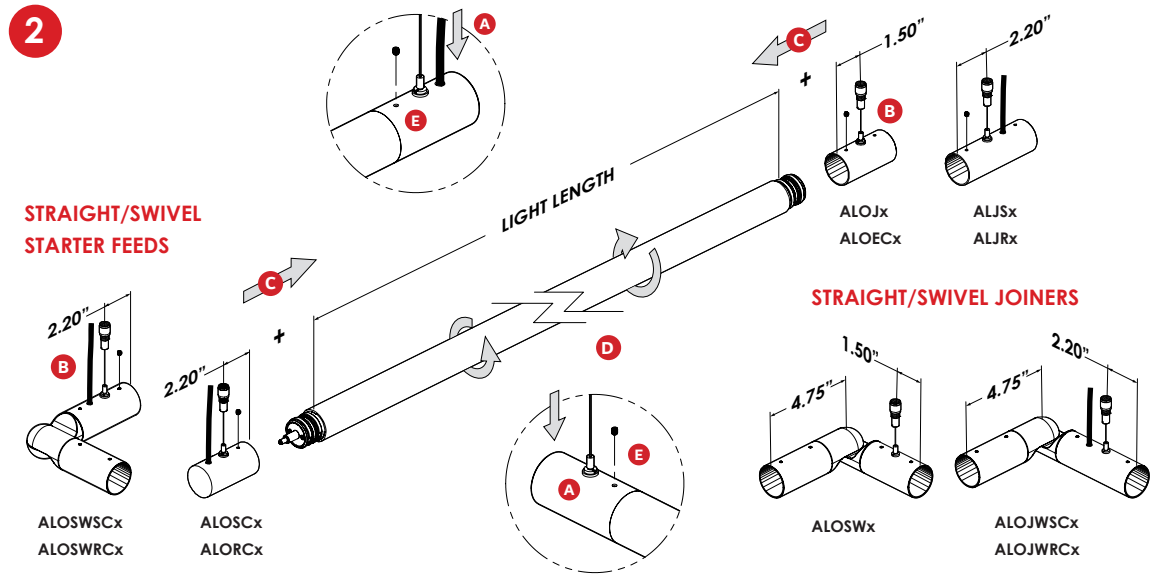
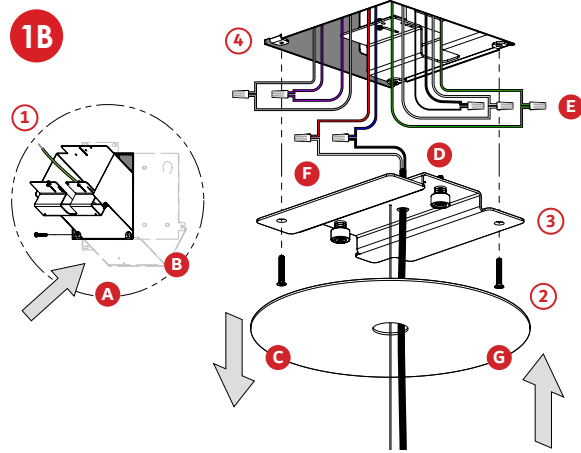
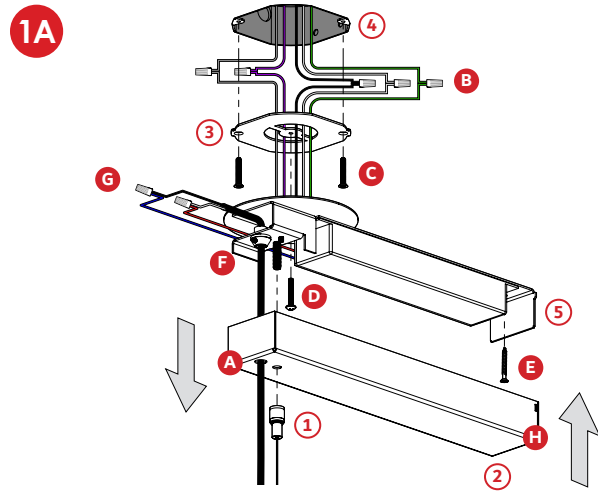


**IMPORTANT:** Refer to fixture installation sheet to plan junction box location

**1** - Use pliers to remove unnecessary tabs **[A]**.

**2** - Attach the junction box **[A]** to a beam **[B]** with screws or nails **[C]**  
- Remove necessary knock offs **[D]** to attach armored cable (by others) with appropriate armored cable strain relief (by others) to the J-box housing

**3** - Slide the driver kit **[A]** (provided with your fixture) into the junction box **[B]** and make electrical connections  
- Fasten to the junction box using 1 flat head 8-32 screws **[C]**



## INSTALLATION STEPS

**WARNING:** Risk of fire and electrical shock - Fixture to be installed by qualified electrician according to local codes and ordinances.  
**WARNING:** Ensure proper handling of LEDs to limit common problems including: broken connection, loose wiring and damage from electrostatic discharge.

- 1A** [A] - Unscrew coupler [1] and remove canopy. [2]  
 [B] - Power feed connections: White +, Black -, Green (if dimming is required): Purple Dim +, Grey Dim -  
 [C] - Using #8-32 x 1" screws (2x), attach the universal mounting plate [3] to the J-Box. [4]  
 [D] - Using a #8-32 x 1" screw, attach driver assembly [5] to mounting plate [3].  
 [E] - Secure driver assembly [5] to mounting surface by securing it with appropriate screw (by others).  
 [F] - Pass power cable through tension release bushing and secure it with set screw.  
 [G] - Light source connections: Blue LED- to White, Red LED+ to Black  
 [H] - Bring canopy [2] back up and screw coupler [1] back on until secured.

**WARNING: FOR SURFACE MOUNTED DRIVERS; SKIP TO STEP 2**

- 1B** [A] - Insert the driver kit inside the a-light box [1] (see remote driver junction box installation guide) make sure the cables stick out of the j-box. [B] Secure with #8-32 x 1"

- [C] - Pull canopy plate [2] down to detach it from the magnets  
 [D] - Pass power cable through tension release clip and secure it with set screw.  
 [D] - Power feed connections: White +, Black-, Green (if dimming is required): Purple Dim +, Grey Dim -  
 [E] - Light source connections: Blue-, Red, +  
 [F] - Using #8-32 x 1" screws (2x), attach the mounting plate [3] to the J-Box. [4]  
 [G] - Move canopy plate [2] up and over the mounting plate [3] until the magnets catch it.

- 2** [A] - Unscrew aircraft cable gripper [1], slide in aircraft cable and screw back tightly.  
 [B] - Attach second aircraft gripper to 1/4-20 stud that is pre-installed in ceiling or grid (by others)  
 [C] - Insert segment of luminaire in their respective end-caps and/or joiners  
 [D] - Adjust the angle of rotation of the segment to your need.  
 [E] - Secure the segment's position and angle by tightening the set screws at each end of the segment.

**WARNING:** - DO NOT OVER TORQUE SET SCREWS  
 - DO NOT CUT AIRCRAFT CABLE! DOING SO WILL VOID WARRANTY.  
 - FOR MORE SEGMENT DIMENSIONS PLEASE REFER TO DIMENSIONS ON NEXT PAGE

- 3** [A] - Adjust aircraft cable length(s) as needed by twisting safety nut counter-clockwise, pushing the excess aircraft cable inside the fixture [B] and securing grippers by twisting safety nut clockwise [C].  
 [D] - Repeat for each suspension point location.  
 [E] - Ensure fixture is level when the segment is required to be horizontal.


1

**MAXIMUM RUN LENGTH PER POWER DROP**

Maximum run lengths are calculated by dividing the maximum DC load (100W) by the DC power consumption per foot of each light segment.

For example, a maximum of 10 linear feet of DIFFUSE LENS at high output can be powered by a single starter feed:  $100W \div 10W/ft = 10ft$ .

Combining several light segments is possible and recommended.

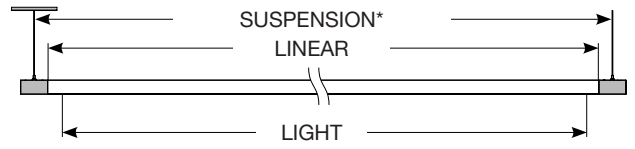
 Need several power drops for continuous rows? Have questions? We know that having so many options can be overwhelming. Please reach out to our factory for any specific request or questions you have. Our talented Design Assist team is here to help.

OUTPUT	LIGHT SEGMENTS	POWER / ft
LH HIGH OUTPUT	BAFFLED OPTIC 22°	10 W/ft
	BAFFLED OPTIC 55°	10 W/ft
	DIFFUSED LENS	10 W/ft
	HE TECH™	10 W/ft
LS STANDARD OUTPUT	BAFFLED OPTIC 22°	5 W/ft
	BAFFLED OPTIC 55°	5 W/ft
	DIFFUSED LENS	5 W/ft
	HE TECH™	5 W/ft

2

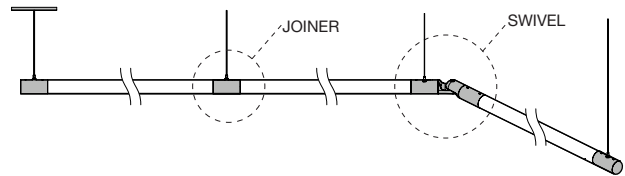
**COMPONENT DIMENSIONS**

**NOMINAL LENGTHS**



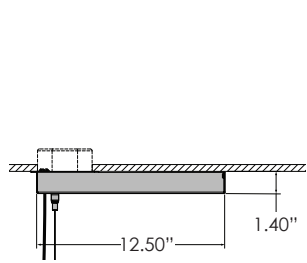
\*Suspension points are calculated between a STRAIGHT STARTER FEED and END SEGMENT/JOINER. For all other configurations, refer to component dimensions below.

**PATTERNS / ROWS**



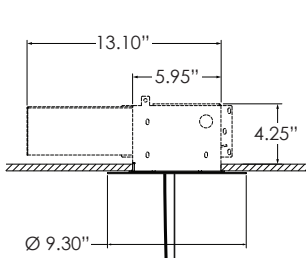
DIMENSIONS			
		HE TECH™ DIFFUSED LENS	BAFFLED OPTIC 22° BAFFLED OPTIC 55°
NOMINAL 2'	SUSPENSION	27.75"	27.75"
	LINEAR	24.06"	24.06"
	LIGHT	24.06"	22.90"
NOMINAL 4'	SUSPENSION	51.75"	51.75"
	LINEAR	48.06"	48.06"
	LIGHT	48.06"	45.80"
NOMINAL 6'	SUSPENSION	77.76"	77.76"
	LINEAR	72.06"	72.06"
	LIGHT	72.06"	68.70"

**SURFACE CANOPY**



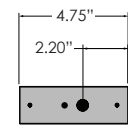
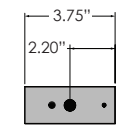
Canopy depth: 2.2"

**RECESSED BOX**

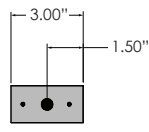


Recessed box depth: 5.95"

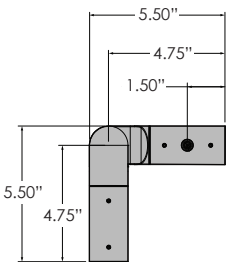
**STRAIGHT STARTER/JOINER FEED**



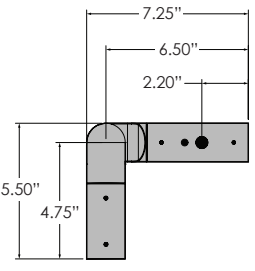
**END SEGMENT/JOINER**




**SWIVEL JOINER**



**SWIVEL STARTER/JOINER FEED**



- 1 - This section is to inform you of the maximum illuminated length a single driver "Power drop" can provide power to.
- 2 - This segment is to help you out plan the mounting lengths of the fixture you ordered. Being very configurable, this guide will help you have a better knowledge of the fixture before you install it.

 **Have questions?**  
We know that having so many options can be overwhelming. Please reach out to our factory for any specific request or questions you have. Our talented Design Assist team is here to help